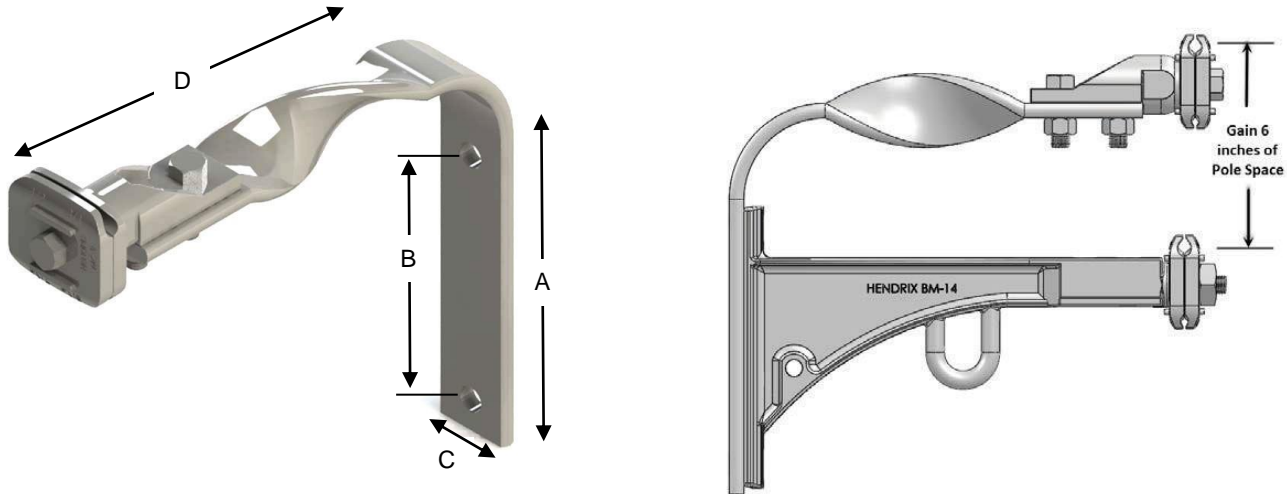


BM-14FXM Flex Bracket

Description:

The Tangent Flex Bracket is produced from engineered high strength galvanized steel. Bracket flexes under impact or heavy loads. Design and material properties allow the bracket to spring stresses in all directions acting as a damper to protect the pole.



Featured is a Flex Bracket with an MC-2 Clamp

Benefits:

- 360° Flex
- For use in heavily treed areas
- Bracket flexes under impact or heavy loads
- Effective in minimizing cascading due to ice storms
- Gains approximately 6 inches of pole space
- If permanent deformation occurs, circuit stays intact
- If load does not exceed the yield strength of the material, bracket will return to original position when the load is removed.

Application:

The BM-14FXM is available in 14 inch length for use up to 15 kV systems. It is recommended to be used from 0-6° line angle. Suitable for conductor sizes up to 795kV with span lengths up to 200 feet.

Catalog No.	System Voltage	Dimension (inches)				Deflection within Yield (inches)	Weight (lbs)	Material
		A	B	C	D			
BM-14FXM	15kV	9	8	2.5	14	4	8.9	HDG - Steel