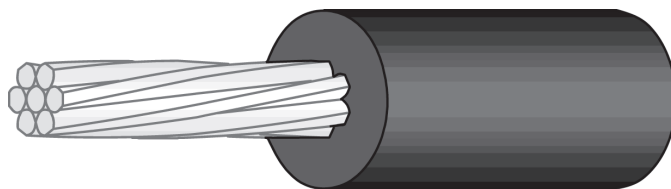


TAP02, TAP04, TAP06 Covered Tap Wire

Description:

Hendrix tap wire is a stranded copper conductor covered with a 0.150" layer of flexible, black, thermoplastic elastomer. It provides a covered lead from primary phase conductors to equipment bushings.

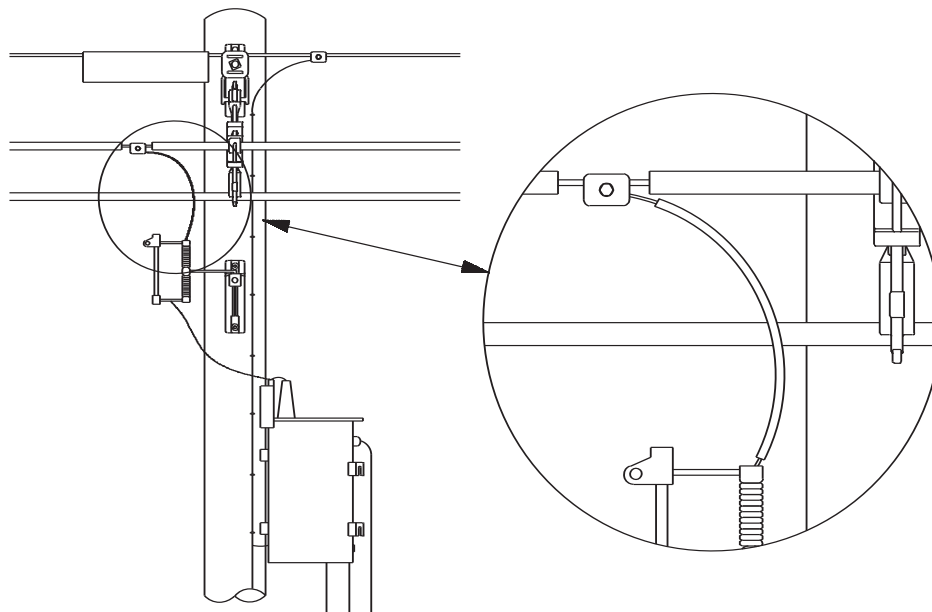


Benefits:

- Tap wire will reduce or eliminate outages due to wildlife contact
- Excellent ultraviolet and weathering characteristics maintain covering integrity
- Thermoplastic elastomer covering is more flexible and trains easier than polyethylene covering

Application:

Hendrix covered tap wire is used to connect an overhead phase conductor to equipment bushings. Using covered tap wire avoids outages due to wildlife contact with the energized tap and another phase or a ground plane such as a transformer case. Covered tap wire is commonly used with the Hendrix Wildlife Guard which is placed over the bushing and isolates the bushing connector from contact. The tap wire can also be used in substation equipment connections to provide covered bus and as covered ground lead.



Catalog No.	Size	Strands	Covering Thickness (inches)	Conductor Diameter (inches)	Overall Diameter (inches)	Conductor Weight (lbs/ft)	Total Weight (lbs/ft)	Ampacity* (amps)
TAP02CUSTR	#2 AWG	7	0.150	0.283	0.583	0.205	0.290	230 Amps
TAP04CUSTR	#4 AWG	7	0.150	0.232	0.532	0.129	0.214	175 Amps
TAP04CUSOL	Copper	Solid	0.150	0.204	0.504	0.126	0.212	175 Amps
TAP06CUSTR	#6 AWG	7	0.150	0.178	0.478	0.081	0.145	130 Amps
TAP06CUSOL	Copper	Solid	0.150	0.162	0.462	0.079	0.143	130 Amps

* 75°C Conductor, 25°C Ambient, 2 ft/sec. wind, sun.